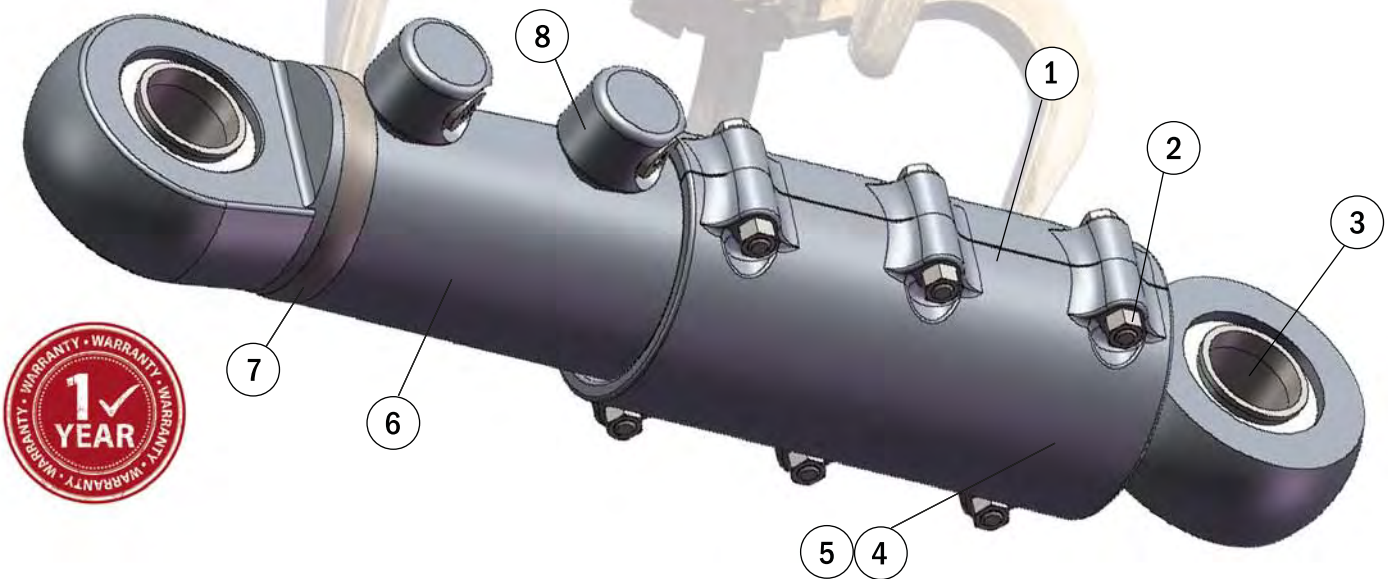


Replacement Cylinders for Liebherr® Grapple

50mm Rod, 70mm Bore, 215mm/265mm Stroke

BMF Hydraulics is proud to introduce aftermarket replacement hydraulic cylinders for use with Liebherr® multi-tine grapples. These high pressure cylinders are specifically designed and tested for use with Liebherr® grapples and meet industry standards for tough scrap sorting and material handling operations. Design features include hydraulic cushioning to reduce cylinder shock, internal oil transfer tube to improve reliability, and high strength cast-steel rod shield for durability. All cylinders come with BMF 1 year, 2000hr warranty.

Replaces Cylinder Part Numbers: 9241931 & 9245992



1. High strength cast steel rod shield
2. Industrial stainless steel hardware
3. Long-life spherical bearings
4. Non-welded, solid forged 1045 steel rod assembly

5. Induction hardened, chrome plated rod
6. Fully interchangeable seal kit. Includes industrial grade HPU wipers & rugged resin/fabric guide bands
7. All welds are preheated and insulated
8. Internal transfer tube

Replacement Seal Kits Available!

