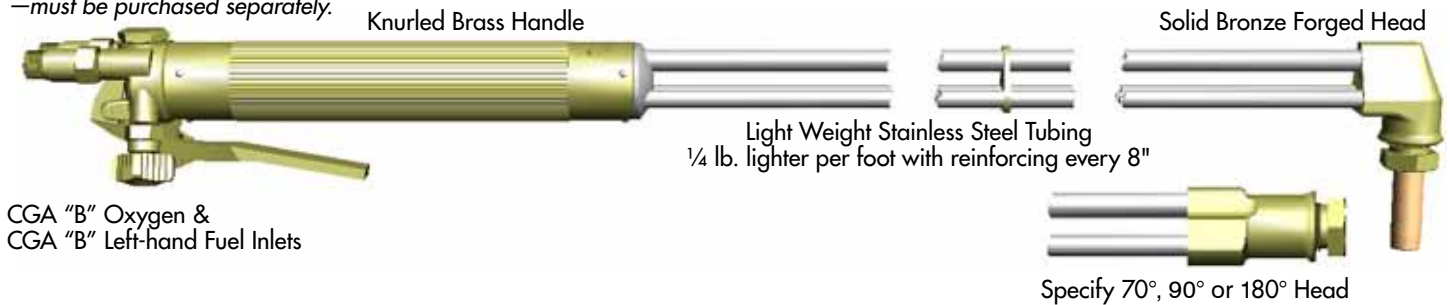


7500 SERIES—CUTS UP TO 14", USES ACETYLENE OR ALT. FUEL GASES

Check valves are recommended
—must be purchased separately.



FEATURES

- Solid Bronze Head
- Heavy Duty Nozzle Mixing Torch
- Three Stainless Tubes in Triangular Format
- Light Weight Multi-Tasking Torch

BENEFITS

- Safety First – Reduced Flashback
- Maximum Strength, Greater Rigidity
- Low Maintenance, Longer Lasting
- Ease of Operation

CAPABILITIES

Flame Tech’s 7500 Hand Cutting Torch is a heavy duty torch designed for rugged environments. This torch features a safe, tip-mix design. The 7500 series torch uses Flame Tech’s “A-Scrapper” or Airco® compatible cutting tips, and is ideal for heavy cutting in scrap yards and steel mill operations. This heavy duty torch when using these tips can hand cut up to 14" of steel.

- Can be used with any Fuel Gas
- Single lever actuated torch control
- Uses common CGA “B” size oxygen supply and LH CGA “B” size fuel supply to minimize the hose and regulator requirements

PART NUMBERING EXAMPLE

- 7548-70 = “75” indicates the torch series you are ordering
- 7548-70 = “48” indicates the length of the torch you are ordering (48" long)
- 7548-70 = “70” indicates the degree of the head (70°, 90° or 180°)

Standard lengths are 21, 27, 36, 48, 60, 72, 96 & 120 inches. Custom lengths available. 70°, 90° or 180° available.

