

Orange peel grab with 3 tines and 600l/0.78c.y. or 3 or 4 tines and 800l/1.05c.y. volume for the handling of bulky scrap with excavators from 18t/39600lbs to 25t/55000lbs operating weight. Especially developed for heavy duty tasks.

- ▷ **Hydraulic cylinders** are fitted with **replaceable piston rod protection** and **are hydraulically cushioned**.
- ▷ **Greasing points are easily accessible**.
- ▷ **Reinforced tines** made of wear-resistant steel 400HB.
- ▷ **Weld-on tips** made of high resistant forged and tempered steel 500HB.
- ▷ **Accurate fittings** eliminate tine distorsion, **solid end stops** (open & close).
- ▷ **Reinforced bolts**, large bearing surface for bolts, specially **coated solid steel bushings**.
- ▷ **Robust, fully integrated rotation** with sturdy slewing ring with internal hoses guarantees optimum force transmission and prevents hose break. The **integrated pressure relief valve** protects against overcharge.
- ▷ **Swivel and bevel sealed**. Rotary feedthrough and motor accessible directly.
- ▷ **Non-return valve** is optionally available.
- ▷ **High closing force** 38kN/8360lbf. at an operating pressure of 35MPa/5070psi, varies depending on width.



**Orange Peel Grab P25VR HD**

Type	Width E (closed) (mm/in)	Opening A (mm/in)	Height C max. (mm/in)	Volume (liter/c.y.)	Number of tines (pcs.)	Weight (kg/lbs)	Load capacity (kg/lbs)
P25VR HD-600-3-W*	1420 / 55.9	2200 / 86.6	1775 / 69.9	600 / 0.78	3	1650 / 3630	3000 / 6600
P25VR HD-800-3-W*	1560 / 61.4	2200 / 86.6	1775 / 69.9	800 / 1.05	3	1700 / 3740	3000 / 6600
P25VR HD-800-4-W*	1550 / 61	2250 / 88.6	1780 / 70.1	800 / 1.05	4	1980 / 4356	3000 / 6600

\* prices w/o adapter

**Package consists of:** orange peel grab, integrated rotation with sturdy slewing ring, head plate, hose guard, bolt-on bottom plate with welded lifting eye

**Accessories**

Type	Description
KM 691 27t	adapter for specific solutions – up to 27t/59400lbs
KM 690 20t	adapter for rigid mounting – up to 20t/44000lbs
KM 690 27t	adapter for rigid mounting – up to 27t/59400lbs
OQ	bolt-on adapter for Oilquick OQ – 5t to 70t/11000lbs to 154000lbs
KSW10 rigid	bolt-on adapter for system L-Lock KMS10L/KHS10L – up to 19t/41800lbs
KSW21/25 rigid	bolt-on adapter for system L-Lock KMS21/25L / KHS21/25L – up to 40t/88000lbs
	adapters for quick change systems from other manufacturers or different sizes on request

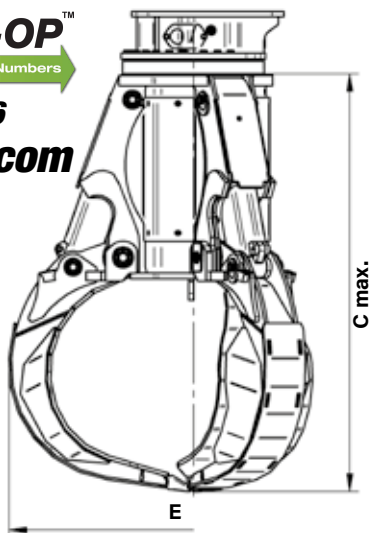
**Requirements of carrier machine**

	P25VR HD-3-W	P25VR HD-4-W
<b>Operating pressure (open/close):</b>	<b>max. 35 MPa (350 bar) / 5070psi</b>	<b>max. 35 MPa (350 bar) / 5070psi</b>
<b>Pump capacity (open/close):</b>	120 - max. 200 l/min / 32 - max. 53GPM	120 - max. 200 l/min / 32 - max. 53GPM
<b>Hydraulic connection (open/close):</b>	G 3/4"	G 3/4"
<b>Operating pressure (rotate):</b>	<b>14 MPa (140 bar) / 2030psi</b>	<b>14 MPa (140 bar) / 2030psi</b>
<b>Pump capacity (rotate):</b>	max. 50 l/min / 13GPM	max. 50 l/min / 13GPM
<b>Hydraulic connection (rotate):</b>	G 1/2"	G 1/2"

**Technical drawing**



**800.321.3396**  
**nascoop.com**



P25VR HD-3-W

