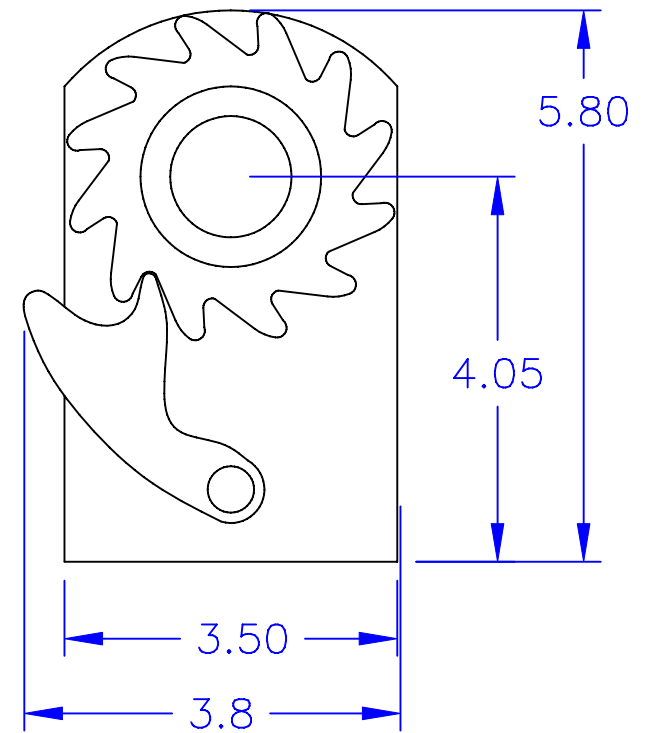
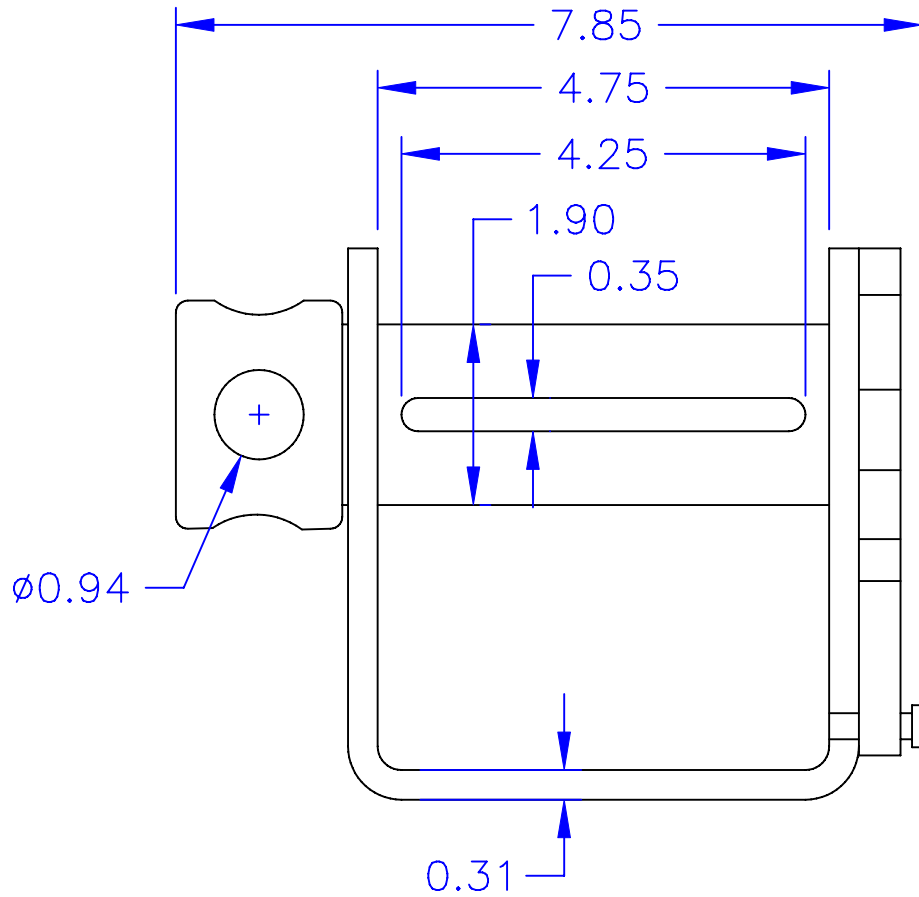


NOTES:

1. ALL DIMENSIONS ARE REFERENCE DIMENSIONS.
2. DIMENSIONS MAY VARY SLIGHTLY BETWEEN DIFFERENT SUPPLIERS.
3. TO BE USED WITH 3" & 4" WIDE 12,000 SERIES LOAD HUGGER WINCH ASSEMBLIES.
4. RATED CAPACITY: 5,000 LBS.



PROPRIETARY INFORMATION:
THE INFORMATION CONTAINED HEREIN IS PROPRIETARY AND IS THE PROPERTY OF LIFT-ALL COMPANY, INC. ANY DISCLOSURE SUCH AS COPYING, TRANSMISSION OR USE OF THIS DOCUMENT WITHOUT WRITTEN PERMISSION FROM LIFT-ALL CO. IS PROHIBITED.

WARNING:
THIS DRAWING IS FOR ILLUSTRATIVE PURPOSES ONLY AND IT MAY NOT CONTAIN ALL OF THE NOTES THAT ARE NECESSARY FOR MANUFACTURING PURPOSES. MANUFACTURING OF THIS ITEM MUST NOT BE DONE WITHOUT ALL REQUIRED NOTES, OR SERIOUS PERSONAL INJURY MAY RESULT.

© LIFT-ALL CO., INC.

			MATERIAL:	UNLESS SPECIFIED DIMENS. IN INCHES	Lift-All
				TOLERANCES: XX ± XXX ±	
			NEXT HIGHER ASSY.	DRAWN BY / DATE AG / 14 SEP 99	STANDARD 4" WINCH WELD ON TYPE PART # 61222
			SUPERSEDES:	APPROV. BY / DATE	DWG. NO. CC-WIN4-J99
NO.	REVISION	BY / DATE		SIZE A	SCALE: NONE