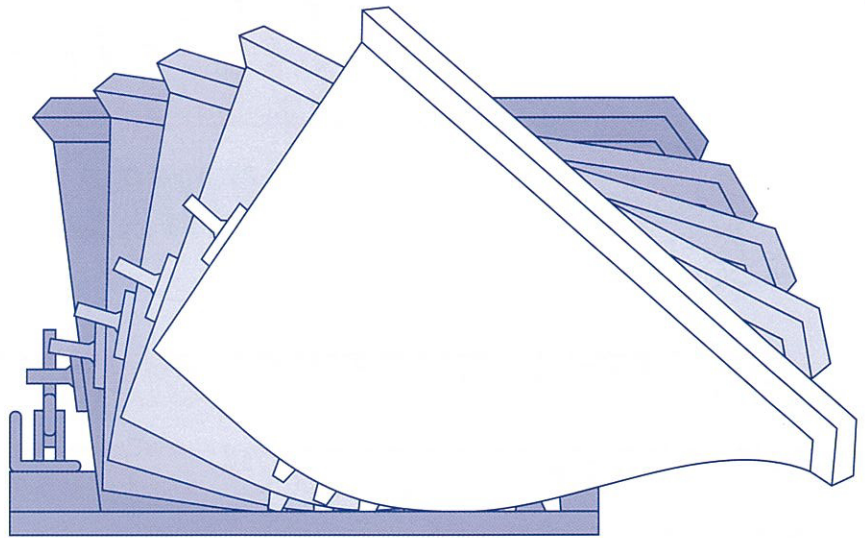




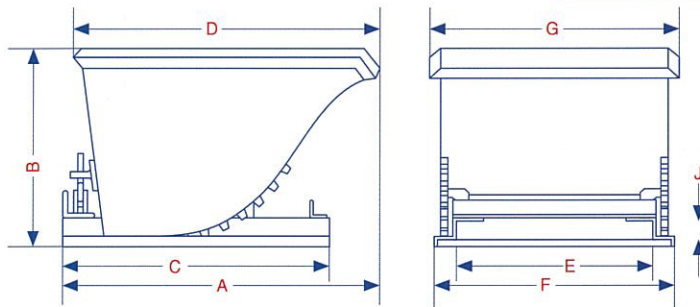
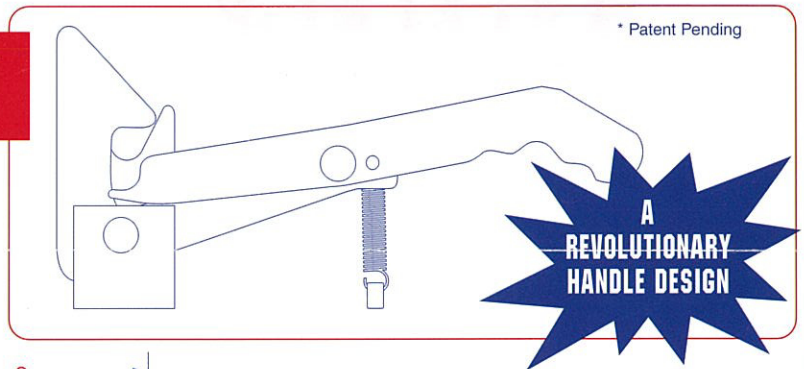
800.321.3396
nascoop.com



STANDARD HEAVY-DUTY UNITS

POSI-LOCK HANDLE

STANDARD HANDLE
 ON ALL MARATHON
 LIFT TRUCK HOPPERS



MODEL	SIZE	A	B	C	D	E	F	G	WT
HD-25	¼ YD	46 ½"	24"	42"	41"	24 7/8"	32 3/8"	33 ½"	370#
HD-50	½ YD	54"	31 ½"	42"	52 ¼"	24 7/8"	32 3/8"	33 ½"	460#
HD-75	¾ YD	60 ¼"	35"	54"	56 ¼"	30 ¾"	38 3/8"	39 ½"	580#
HD-100	1 YD	64 ¾"	37 ¾"	54"	62 ½"	30 ¾"	38 3/8"	39 ½"	630#
HD-150	1 ½ YD	75 ¾"	46 ¼"	60"	73"	30 ¾"	38 3/8"	39 ½"	780#
HD-150LP	1½ YD LP	64 ¾"	37 ¾"	54"	62 ½"	30 ¾"	38 3/8"	51 ½"	750#
HD-200	2 YD	75 ¾"	46 ¼"	60"	73"	42 ½"	50 ¼"	51 ½"	850#
HD-250	2 ½ YD	75 ¾"	47 ¼"	60"	73"	42 ½"	50 ¼"	63 ½"	1230#
HD-300	3 YD	75 ¾"	47 ¼"	60"	73"	42 ½"	50 ¼"	75 ½"	1330#
HD-400	4 YD	75 ¾"	47 ¼"	60"	73"	42 ½"	50 ¼"	99 ½"	1650#
HD-500	5 YD	75 ¾"	47 ¼"	60"	73"	42 ½"	50 ¼"	123 ½"	2000#