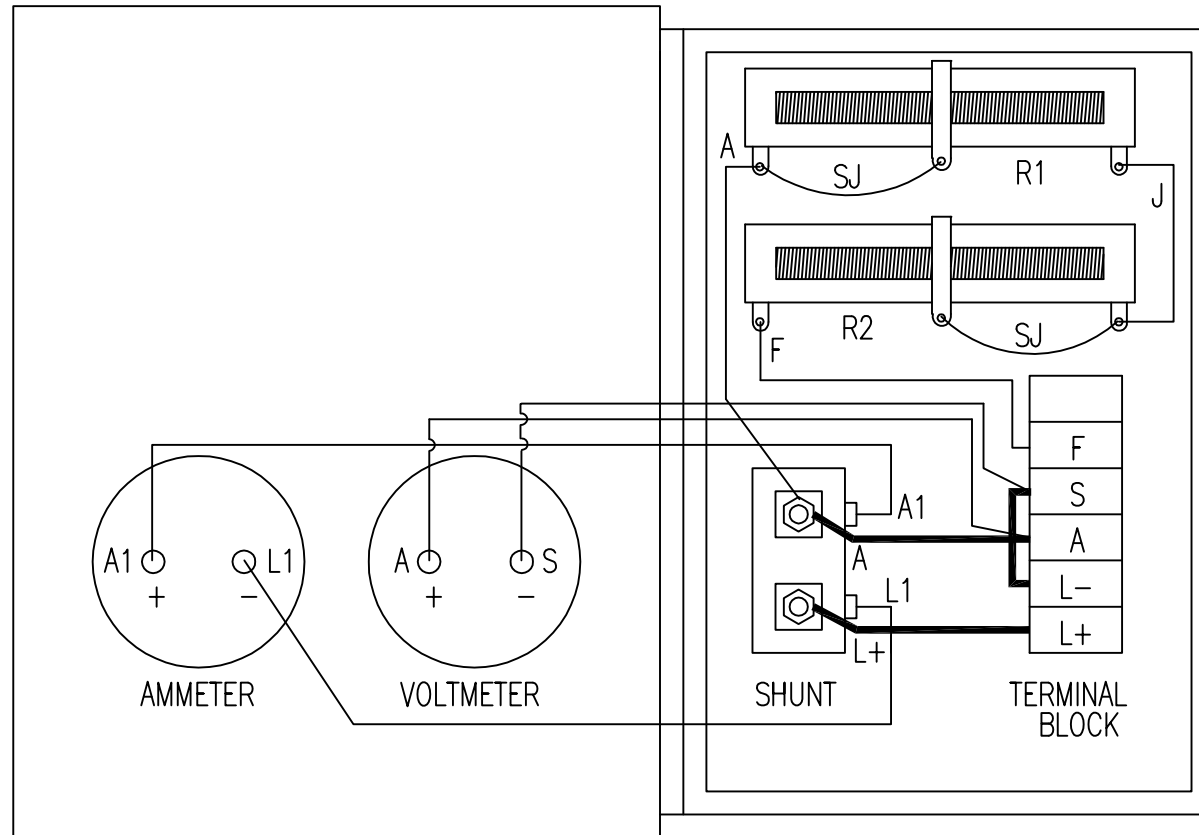
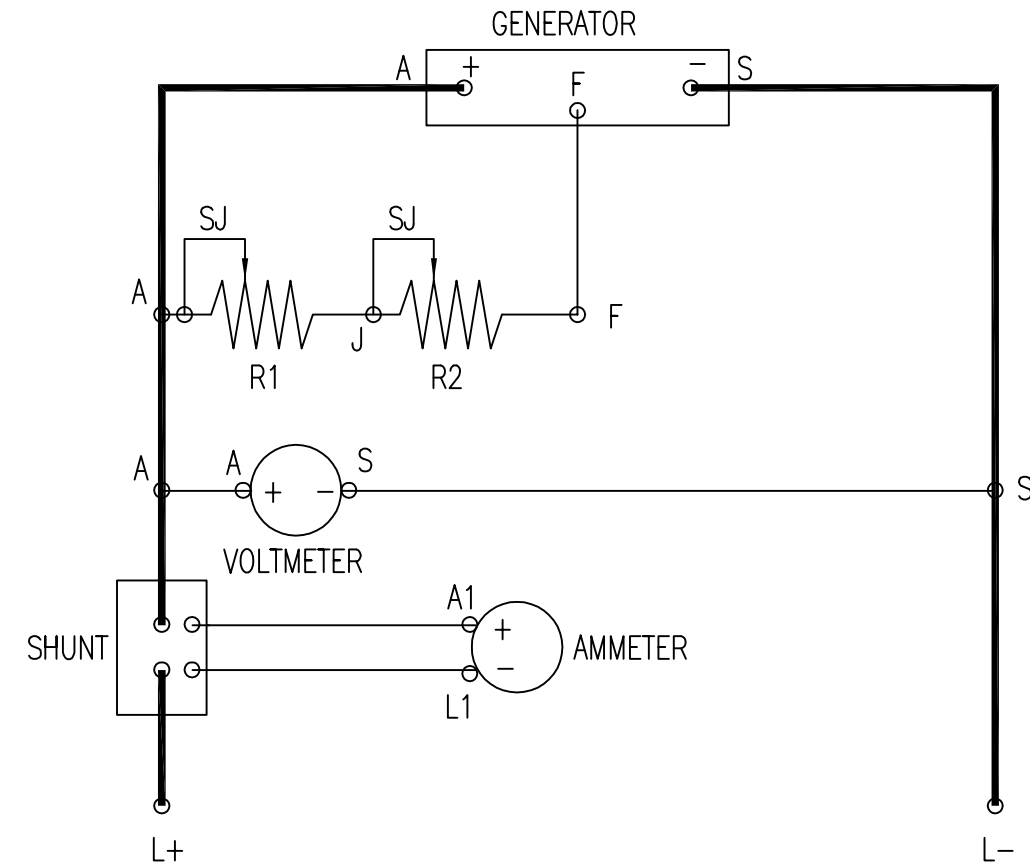


WIRING DIAGRAM



SCHEMATIC DIAGRAM



NAME	LOCATION	WIRE SIZE		LENGTH		WIRE P/N: 900B30CXX	XX
		AWG	mm ²	inch	mm		
F	TERM. BLOCK - RESISTOR R2	#12	4.0	4.00	100.0		
A	SHUNT - RESISTOR R1	#12	4.0	7.00	180.0		
SJ	RESISTOR R1 - RESISTOR R1	#12	4.0	6.50	170.0		
S	TERM. BLOCK - VOLTMETER	#12	4.0	13.25	340.0	03	
* A	TERM. BLOCK - SHUNT	#8	10.0	3.50	90.0	07	
SJ	RESISTOR R2 - RESISTOR R2	#12	4.0	6.50	170.0		
A	TERM. BLOCK - VOLTMETER	#12	4.0	15.00	380.0	27	
J	RESISTOR R1 - RESISTOR R2	#12	4.0	4.00	100.0		
* L-	TERM. BLOCK - TERM. BLOCK	#8	10.0	6.00	150.0	19	
* L+	TERM. BLOCK - SHUNT	#8	10.0	3.50	90.0	11	
* A1	AMMETER - SHUNT	#12	4.0	15.50	390.0	16	
* L1	AMMETER - SHUNT	#12	4.0	15.50	390.0	14	



800-321-3396

* = WIRED AS PART OF SUB-PANEL ASSEMBLY

22 APR 2002	JPS	REVISED	ER-3018-139
07 FEB 2000	JPS	REVISED	ER-3018-118
07 MAY 1991	JPS	NEW RELEASE	ER-3011-23

OHIO MAGNETICS, INC.
STEARNS MAGNETICS

SUBSIDIARY OF PEERLESS WINSMITH, INC.
MAPLE HEIGHTS, OHIO

PART WIRING DIAGRAM - METER PACKAGE
REMARKS 18 kW (100 A) SBR
DRAWN BY JPS DATE 07 MAY 1991
CHECKED BY _____ SCALE _____
PART NO. 101B002H13