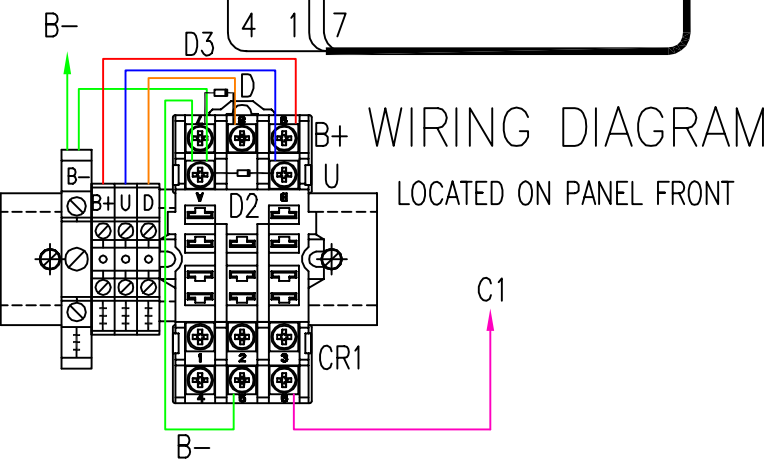
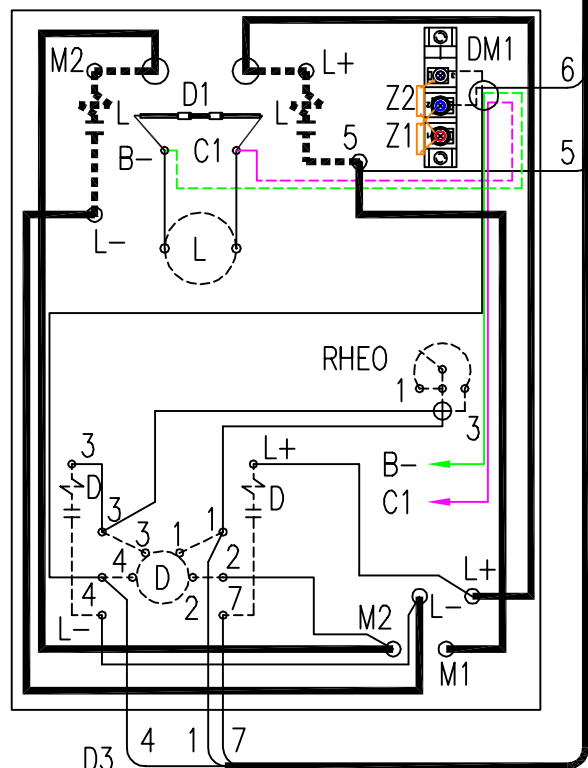
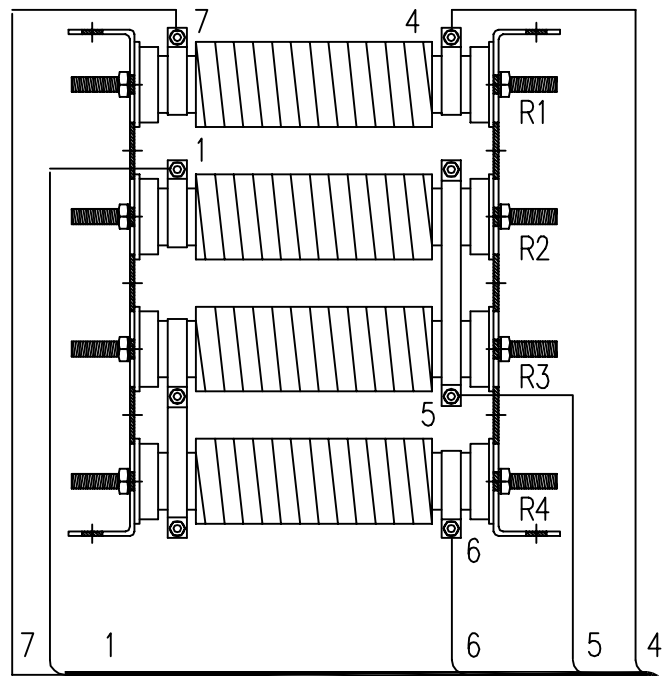
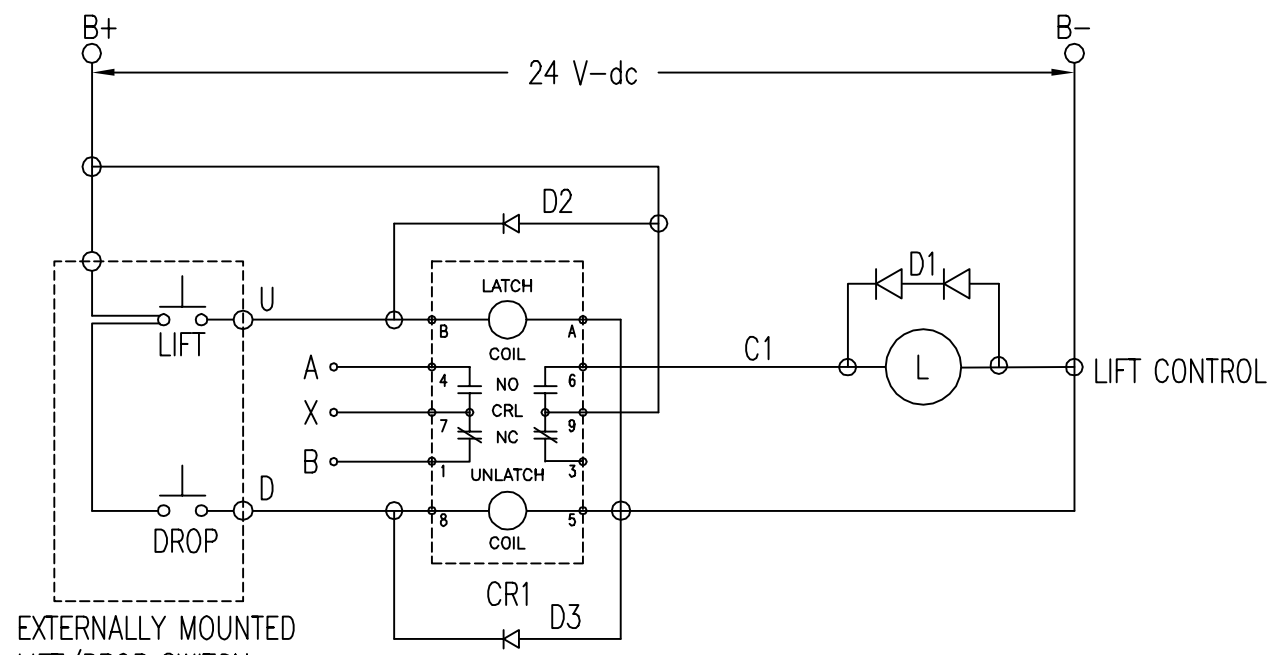
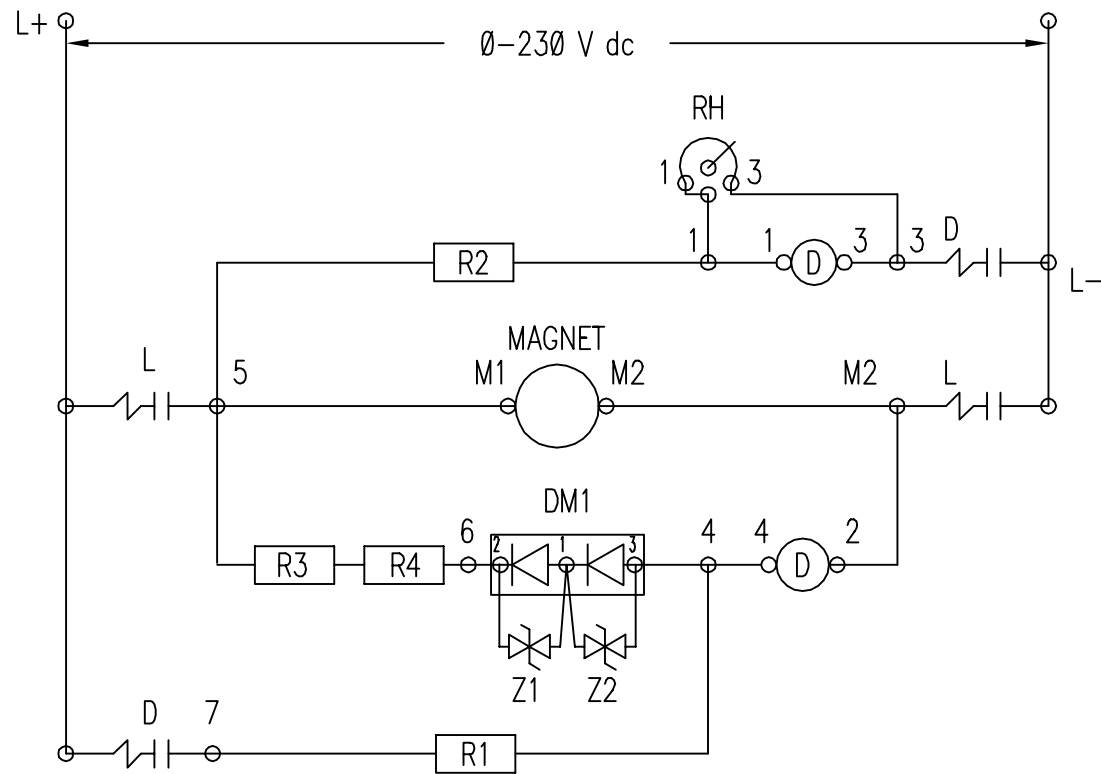


RESISTOR ASSEMBLY

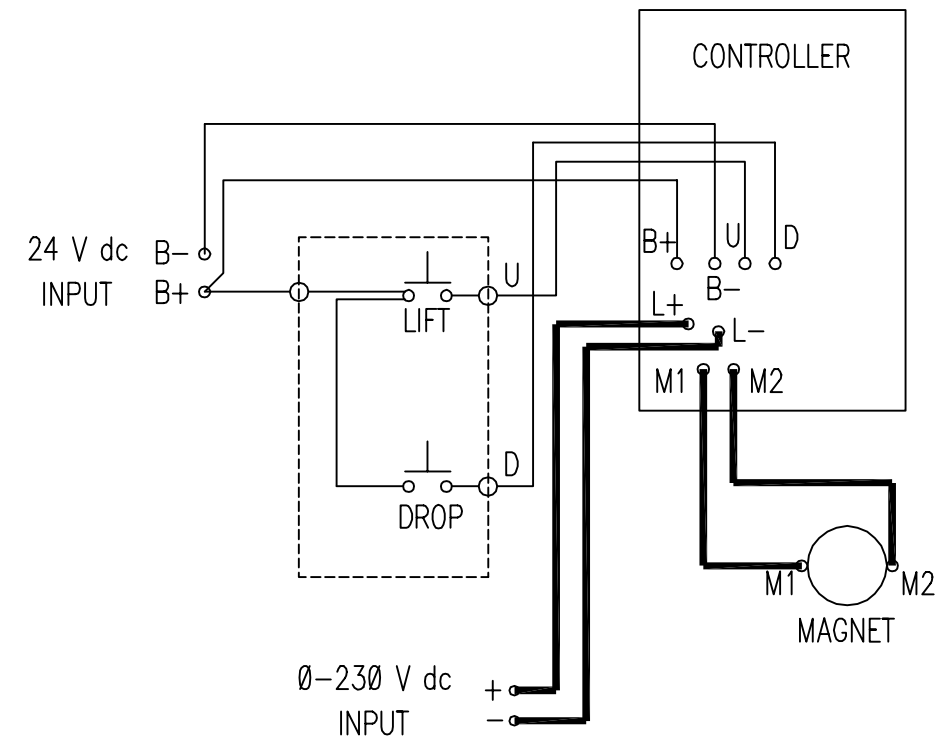


WIRING DIAGRAM

LOCATED ON PANEL FRONT



SCHEMATIC DIAGRAM



SYSTEM DIAGRAM

TABLE OF EQUIPMENT		
SYMBOL	DESCRIPTION	FUNCTION
D	REVERSE CONTACT	DROP
L	MAIN CONTACT	LIFT
RH	1.0 Ω RHEOSTAT	DROP CONTROL
R1 - R2	12 Ω RESISTOR	DROP RESISTOR
R3 - R4	8 Ω RESISTOR	DISCHARGE RESISTOR
DM1	DIODE MODULE	BLOCKING DIODE
Z1 - Z2	MOV SUPPRESSOR	DIODE PROTECTION
CR	CONTROL DIODE	ANTI-REVERSE PROTECT
D1-D3	SUPPRESSOR DIODE	VOLTAGE SUPPRESSION

800-321-3396

OHIO MAGNETICS, INC.
STEARNS MAGNETICS

SUBSIDIARY OF PEERLESS WINSMITH, INC.
MAPLE HEIGHTS, OHIO

PART WIRING DIAGRAM +24 V RELAY & COIL
 REMARKS MC-1A AUTO 0-230 V-dc; 24 V
 DRAWN BY JPS DATE 25 MAR 2010
 CHECKED BY _____ SCALE N/A
 PART NO. 018B61700