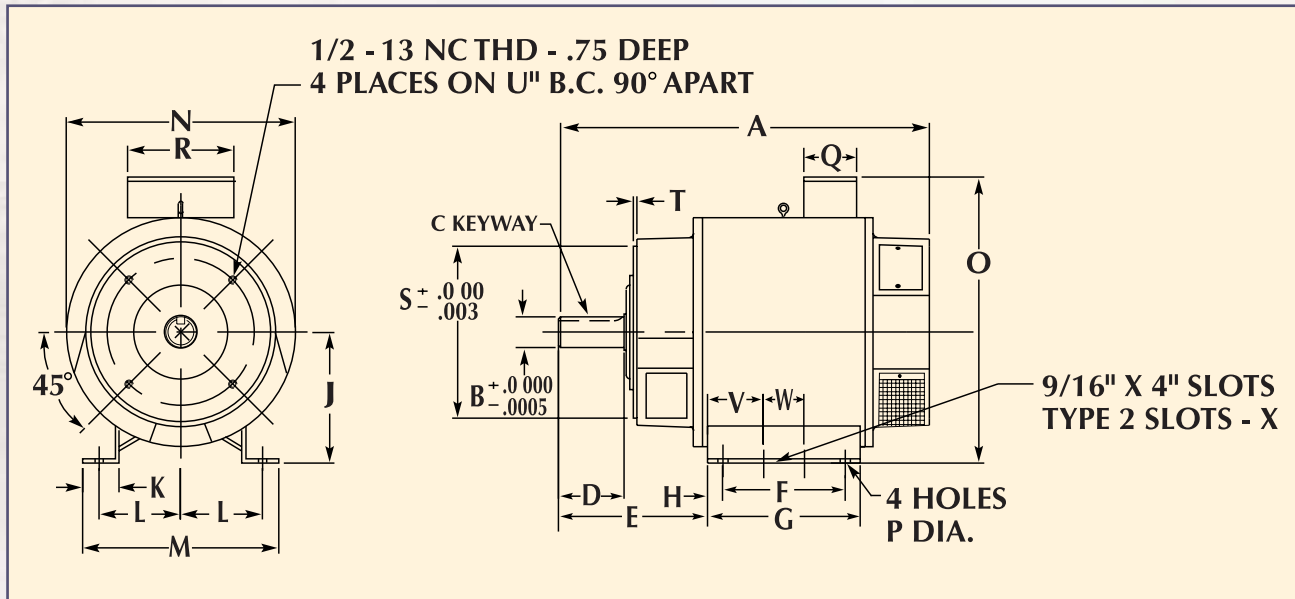


OPTH Power Take-off Generators

5 to 33 KW, 230 VDC Models

Designed for Belt or Hydraulic Motor Drive



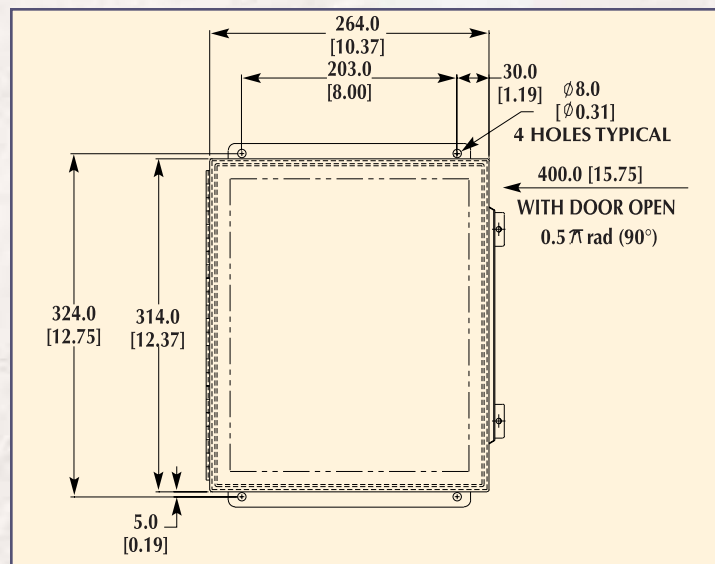
TECHNICAL SPECIFICATIONS - Dimensions (inches)*

Model	KW	RPM	A	B	C	D	E	F	G	H	J	K	L	M	N	O	P	Q	R	S	T	U	V	W	X	Approx. Weight/Lbs.
OPTH5-25	5	2,500	16 1/2	1	1/4 x 1/8	2 1/4	N/A	7 7/16	N/A	N/A	6 9/32	N/A	3 5/8	8 3/4	10 3/4	16	17/32	4 1/4	4 1/4	10 1/2	1/4	9	OMIT	OMIT	OMIT	170
OPTH10-25	10	2,500	19 7/8	1 1/4	1/4 x 1/8	3 1/2	7 1/16	5 1/2	7	3/4	6 3/4	2	4 1/2	10 1/8	12	15 9/16	3/16	4 1/4	4 1/4	8 1/2	1/4	7 1/4	OMIT	OMIT	OMIT	175
OPTH15-18	15	1,800	24 3/8	1 5/8	3/8 x 3/16	4	8 9/16	4 1/2	10	3/4	8	2 1/2	5 1/2	12 3/4	14	18 3/16	9/16	4 1/4	4 1/4	10 1/2	1/4	9	3 1/4	3 1/2	SLOT	290
OPTH20-18	20	1,800	26 3/8	1 5/8	3/8 x 3/16	4	8 9/16	6	10	3/4	8	2 1/2	5 1/2	12 3/4	14	18 3/16	9/16	4 1/2	6 1/2	10 1/2	1/4	9	3 1/4	3 1/2	SLOT	345
OPTH25-18	25	1,800	28 3/8	1 5/8	1/2 x 1/4	4	8 9/16	6	10	3/4	8	2 1/2	5 1/2	12 3/4	14	18 3/16	9/16	4 1/2	6 1/2	10 1/2	1/4	9	3 1/4	3 1/2	SLOT	410
OPTH33-18	33	1,800	31 11/16	2	1/2 x 1/4	5	10 3/4	11	13	1	8 1/2	3	6 1/2	14 3/4	15 3/4	20 1/2	11/16	4 1/2	6 1/2	12 1/2	3/8	11*	3 1/4	3 1/2	SLOT	570

* 5/8 - 11 NC THD - .875" DEEP

Ammeter, Voltmeter, Slide Resistors in Separate Enclosure

- Required for use with all Ohio Generators
- Hydraulic components available
- Contact Ohio Magnetics for application information



800-321-3396