

NEW

LaserLight2

4-inch, 6-inch, 4-inch Stop/Go Remote Display



Standard Features

- Six high-intensity red digits (double-row discrete LED)
- Auto Learn mode of communication protocols
- Hold displayed weight (demand input)
- Software selectable standstill mode for no updates while in motion
- Durable weathertight IP66 enclosure
- Adjustable daylight/night intensity
- Non-glare contrast filtered lens
- Mirror (reverse image) feature
- RS-232, 20 mA and RS-485 communications
- Auto sensing 115/230 VAC power supply
- PEMs for VESA flat-wall mount or side-mounting flange
- Polyethylene breather vent inhibits internal moisture buildup
- Red, green and arrow lights in stop/go version

Specifications

Display:

- 6-digit, 7-segment discrete oval precision optical performance red LED lamps
- Contrast enhanced optical filtering lens
- 1- or 2- place decimal or comma indication
- 4 annunciators for GR, NT, lb, kg
- 4-inch red, green ball/arrow in Stop/Go model

Maximum Viewing Distance:

- 4 in: 250 ft (75 m)
- 6 in: 300 ft (100 m)

Input Interface:

RS-232, RS-485, 20 mA current loop (active or passive, switch selectable)

Output Interface:

Independently configurable echo out port, RS-232 or 20 mA current loop (active or passive, switch selectable)

Input Data Format:

Baud Rate: 1200, 2400, 4800, 9600 and 19200 self-learning or software selectable

Character Format:

7 or 8 data bits; even, odd, or no parity; 1 or 2 stop bits, self-learning or software selectable

Update:

Continuous or out-of-motion only; software selectable

Power Consumption:

- 4 in: 21 watt
- 6 in: 27 watt

Time:

Software enable/disable, 12- or 24-hour format

Date:

Software enable/disable, US or ISO format

Rating/Material:

IP66 weather tight, mild steel, powder coated

Dimensions:

- 4-inch (L x H): 22.28 in x 9.8 in
- 6-inch (L x H): 30.63 in x 12.77 in
- Stop/Go (L x H): 30.63 in x 12.77 in (flanges add 2.00 in width)

Weight:

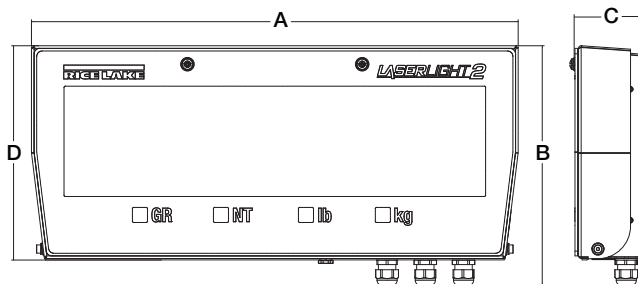
- 4 in: 20 lb (9 kg)
- 6 in: 25 lb (11 kg)

Operating Temperature Range:

-40°F to 120°F (-40°C to 49°C)

Warranty:

Two-year limited warranty



DIMENSIONS			
22 inch enclosure (4-inch model)			
A	22.28 in (565 mm)	C	3.28 in (85 mm)
B	10.96 in (280 mm)	D	9.80 in (250 mm)
31 inch enclosure (6-inch and Stop/Go models)			
A	30.63 in (780 mm)	C	3.73 in (95 mm)
B	13.94 in (355 mm)	D	12.77 in (325 mm)



www.nascoop.com | Phone: 800-321-3396

LaserLight2

4-inch, 6-inch, 4-inch Stop/Go Remote Display

Part Number/Price

PART #	DESCRIPTION	EST. SHIP WEIGHT	PRICE
Flange Mounted (included)			
167091	LaserLight2 4 inch (100 mm)	20 lb	\$1,500.00
167092	LaserLight2 6 inch (150 mm)	25 lb	2,000.00
167093	LaserLight2 4 inch (100 mm) with red/green stop/go light	25 lb	2,200.00
VESA Mounted (included)			
175860	LaserLight2 4 inch (100 mm)	20 lb	1,550.00
175861	LaserLight2 6 inch (150 mm)	25 lb	2,050.00
175862	LaserLight2 4 inch (100 mm) with red/green stop/go light	25 lb	2,250.00

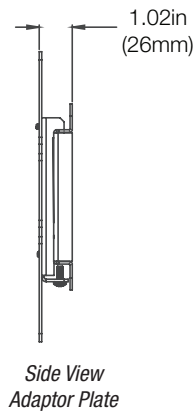
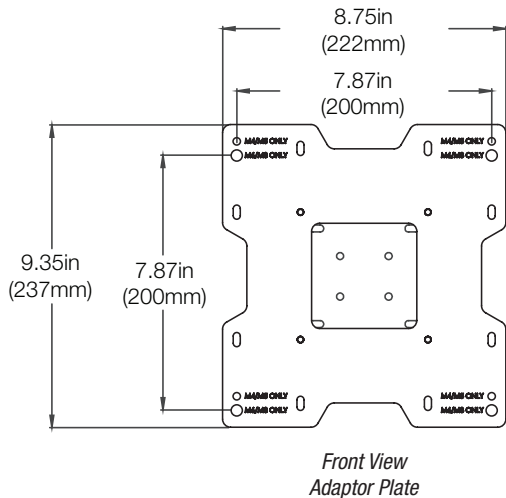
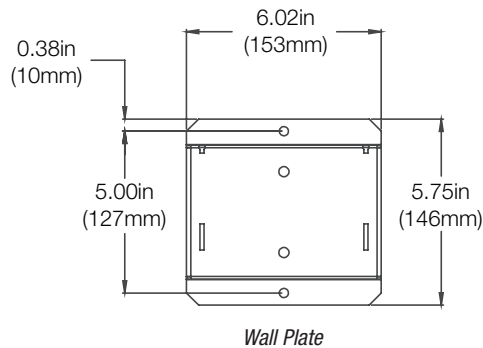
Options/Accessories

PART #	DESCRIPTION	PRICE
175305	4 inch side-mount flange brackets, retro fit	\$25.00
175306	6 inch side-mount flange brackets, retro fit	25.00
175213	VESA flat-wall mount fit 4 inch and 6 inch retro fit	75.00
175052	Wireless interface, pair of ConnexLink Radios and mount	795.00
75856	4 inch LaserLight pole mount kit for 4-8 in pole	150.00
77775	6 inch LaserLight pole mount kit for 4-8 in pole	195.00



NEMA Type 5-15 plug

VESA Flat-wall Mount



Side Mount Flange

