



# Models AVL and VL

Locking Clamp

Horizontal to Vertical - 180°

1/2 through 20 Ton Rated Lift Capacities

## Features:

### \* Horizontal to Vertical Lift

- Capable of turning a single steel plate from horizontal to vertical to horizontal through a 180° arc.

### \* Lock Open and Close

- Lock open to facilitate loading and unloading clamp.
- Lock close onto material for a more secure lift.

### \* Remote Release Locking Mechanism

- Enables user to open the clamp from a distance when the load is at rest and secured.
- **Also available:** Remote Locking Mechanism that also allows the user to lock the clamp closed onto the material.

### \* Rated for 420 Brinell Surface Hardness

- Grippers are rated to lift material with a surface hardness up to 420 Brinell.
- 2 through 20 ton lift capacities have dual gripping cams and a self-aligning gripping pad.
- Also available with **stainless** grippers.

### \* Wide Jaw Openings

- Wider range within rated lift capacity.

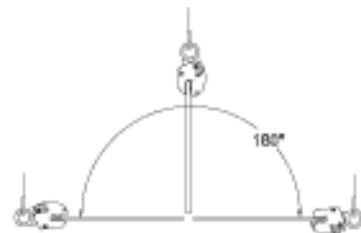
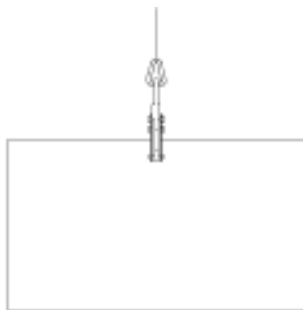
### \* Working Parts Enclosed

- Working parts remain inside the body in the "locked close" position and the "locked open" position.
- Protects parts for longer use.

### \* Also Available with a Universal Shackle (p. 4), an Auxiliary Lock (p. 6), and/or Stainless Grippers (p. 8)



**Note:** The 1/2 ton and 1 ton Model AVL is the same as the 1/2 ton and 1 ton Model VL except for the jaw opening (A).



800-321-3396



## Models AVL and VL

	1/2 & 1 TON AVL	1/2 & 1 TON VL	2 TON VL		3 TON VL		4 TON VL			6 TON VL		
A	0-7/8"	0-1 3/8"	0-1 5/8"	1 1/2-2 3/4"	0-1 5/8"	1 1/2-2 3/4"	0-2 1/8"	2-3 3/4"	3 3/4-5 1/2"	0-2 1/8"	2-3 3/4"	3 3/4-5 1/2"
B	2 3/4	2 3/4	4 1/8	4 1/8	4 1/8	4 1/8	4 5/8	4 5/8	4 5/8	4 5/8	4 5/8	4 5/8
C	6 7/8	6 7/8	9	9	9	9	11 1/4	11 1/4	11 1/4	11 1/4	11 1/4	11 1/4
D MAX	11 3/4	12	16 1/4	16 1/4	16	16	18	18	18	18	18	18
E	2 1/2	2 1/2	3 1/2	3 1/2	3 1/2	3 1/2	4	4	4	4	4	4
F	5 3/8	5 1/2	8	9 1/8	8	9 1/8	9 1/2	11 1/8	13	9 1/2	11 1/8	13
G	2 7/8	2 7/8	4 1/8	4 1/8	4 1/8	4 1/8	5	5	5	5	5	5
H	1 1/2	1 1/2	2 3/8	2 3/8	2 3/8	2 3/8	2 1/2	2 1/2	2 1/2	2 1/2	2 1/2	2 1/2
J	5/8	5/8	7/8	7/8	7/8	7/8	1	1	1	1	1	1
K	1/2	1/2	3/4	3/4	3/4	3/4	3/4	3/4	3/4	3/4	3/4	3/4
WT lb.	10	10	22	23	24	26	42	44	46	45	47	49

	8 Ton VL			10 Ton VL			12 Ton VL			20 Ton VL		
A	0-2 5/8"	2 1/2-4 1/2"	4 1/2-6 1/2"	0-2 5/8"	2 1/2-4 1/2"	4 1/2-6 1/2"	1/2-3 1/8"	3-5 1/4"	5-7 1/4"	1/2-4 1/4"	4-7"	7-10"
B	5 1/4	5 1/4	5 1/4	5 1/4	5 1/4	5 1/4	6 1/2	6 1/2	6 1/2	8 3/8	8 3/8	8 3/8
C	12 7/8	12 7/8	12 7/8	12 7/8	12 7/8	12 7/8	16 3/4	16 3/4	16 3/4	23	23	23
D MAX	22 3/8	22 3/8	22 3/8	22 3/8	22 3/8	22 3/8	27 3/4	27 3/4	27 3/4	36 3/8	36 3/8	36 3/8
E	4 1/2	4 1/2	4 1/2	4 1/2	4 1/2	4 1/2	4 7/8	4 7/8	4 7/8	5 5/8	5 5/8	5 5/8
F	10 1/2	12 3/8	14 3/8	10 1/2	12 3/8	14 3/8	12 1/4	14 3/8	16 3/8	17	20	22 5/8
G	5 3/4	5 3/4	5 3/4	5 3/4	5 3/4	5 3/4	6 3/4	6 3/4	6 3/4	8 1/4	8 1/4	8 1/4
H	3 1/4	3 1/4	3 1/4	3 1/4	3 1/4	3 1/4	3 1/4	3 1/4	3 1/4	4 1/4	4 1/4	4 1/4
J	1 1/4	1 1/4	1 1/4	1 1/4	1 1/4	1 1/4	1 5/8	1 5/8	1 5/8	2	2	2
K	1	1	1	1	1	1	1	1	1	1 1/2	1 1/2	1 1/2
WT lb.	65	67	69	71	74	77	112	116	120	292	304	316

**Note:** Specifications are subject to change without notice.

