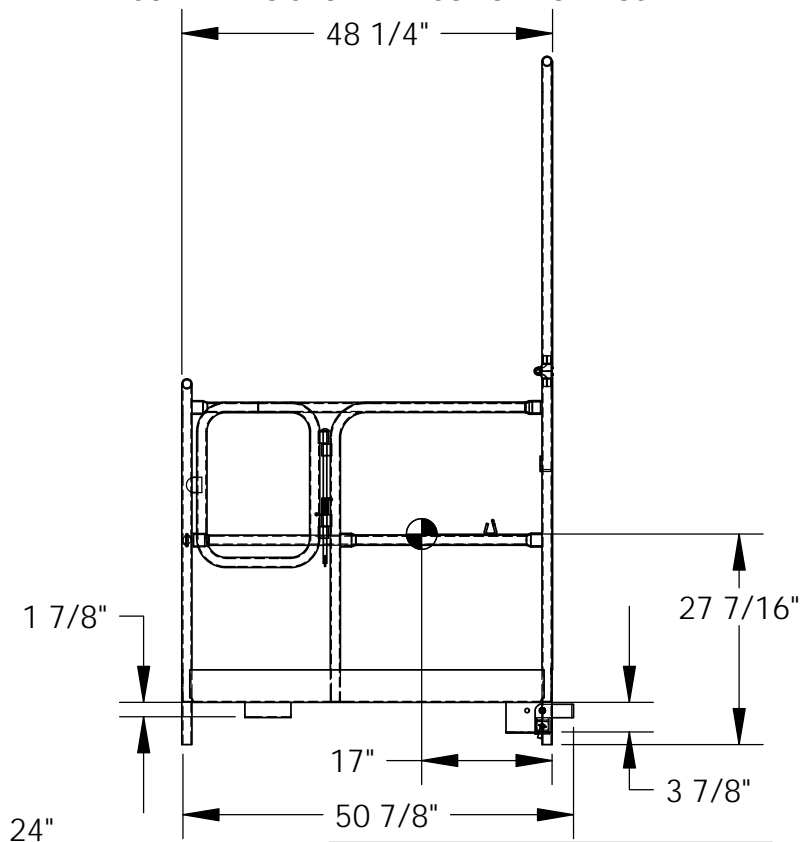
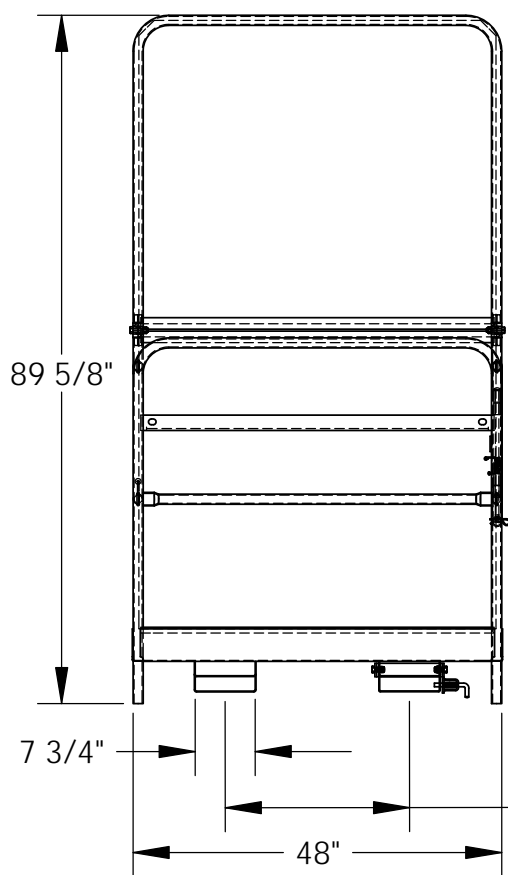
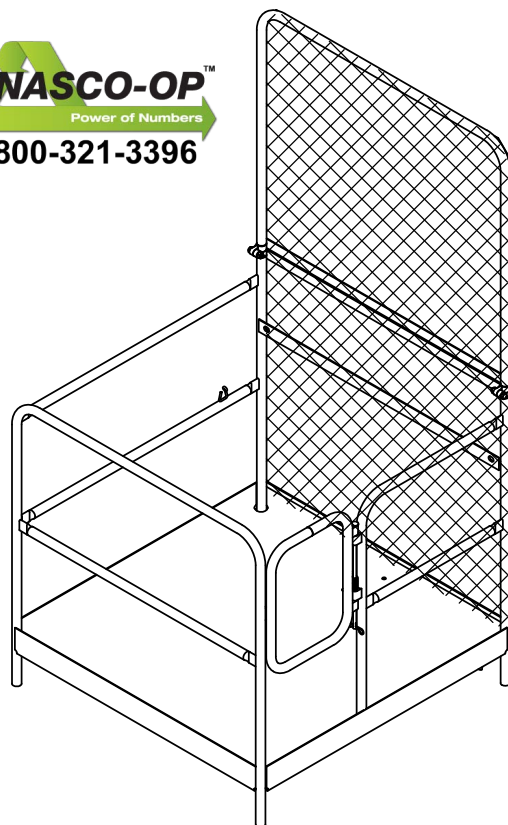


HIGH BACK WORK PLATFORM, WP-4848-84B

APPROXIMATE WEIGHT IS: 292.76 lbs.

*** ANY ADDITIONS, DELETIONS, OR OMISSIONS MUST BE CORRECTED ON THIS DRAWING AS THIS DRAWING WILL BE CONSIDERED ALL INCLUSIVE ***
ALL GRAPHICS PROVIDED ARE FOR REFERENCE ONLY. IF CERTAIN DIMENSIONS ARE CRITICAL PLEASE VERIFY THOSE DIMENSIONS WITH YOUR SALESPERSON



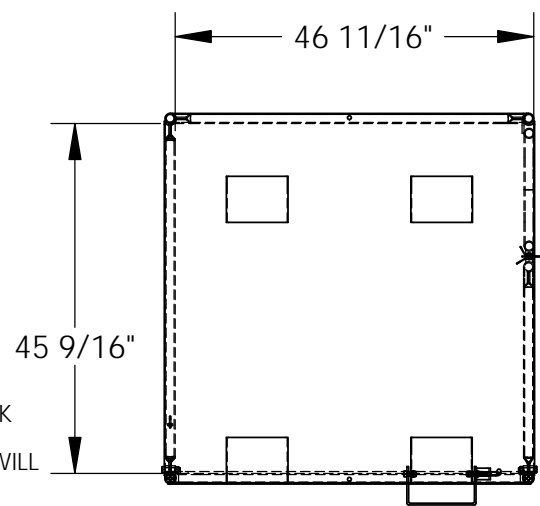
3D VIEW SHOWN FOR REFERENCE ONLY

STANDARD FEATURES

- MODEL NUMBER IS WP-4848-84B
- OVERALL WIDTH IS 48"
- USABLE WIDTH IS 46 11/16"
- OVERALL LENGTH IS 50 7/8"
- USABLE LENGTH IS 45 9/16"
- OVERALL HEIGHT IS 89 5/8"
- CAPACITY 1,000 LBS.
- USABLE FORK POCKET HEIGHTS:
3 7/8" REAR, 1 7/8" FRONT
- USABLE FORK POCKET WIDTH: 7 3/4"

SPECIAL FEATURES

NONE
NEVER EXCEED LOAD CENTER RATING PER FORK TRUCK MANUFACTURER'S GUIDELINES.
DO NOT USE THIS FORK TRUCK ATTACHMENT IF LOAD WILL EXCEED FORK TRUCK MANUFACTURER'S LOAD CENTER RATING.



24" FORK CENTERS

ALL SPECIAL UNITS ARE NON-RETURNABLE

APPROVAL

I, the undersigned, hereby approve this print.
This includes my approval of design & dimensions

[] As drawn [] As marked

Signed: _____ Date: _____

LEAD TIME WILL START UPON RECEIPT OF SIGNED APPROVAL DRAWING

DISTRIBUTOR'S NAME: VESTIL MANUFACTURING		P.O.# X
DRAWN BY: C. WOLF		W.O.# X
DATE: 8/31/06	SCALE: 1:25	SALES: X
REFERENCE: X	QUOTE # X	FILE NAME: 14-007-081