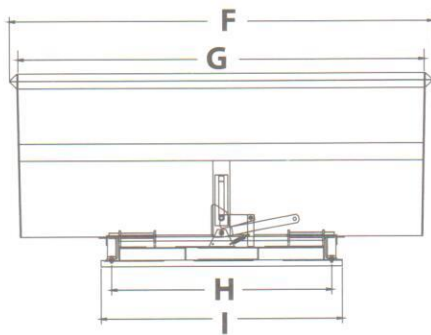


HEAVY DUTY SELF-DUMPING HOPPERS (LOW PROFILE)

2- 1/2 to 3-1/2 cubic yard
hoppers

Galbreath heavy duty self-dumping hoppers with low profile design offer the advantage of increased capacity for equipment that requires a lower height requirement. Units incorporate a new heavy duty base for forklift handling of materials, in-plant house-keeping, scrap collection and more. These hoppers feature a 7 gauge body with angle reinforcement and 1" round rocker stops.



	H-250LP	H-300LP	H-350LP
Vol. capacity (cu. yds.)	2 1/2	3	3-1/2
Weight capacity (lbs.)	6,000	5,000	5,000
Shipping weight (lbs.)	1,151	1,304	1,416
A	66-1/2"	66-1/4"	66"
B	59-1/2"	59-1/2"	59-1/2"
C	7-1/2"	7-1/2"	7-1/2"
D	46"	46"	46"
E	56-1/2"	56-1/2"	56-1/2"
F	66"	85-1/2"	99-1/2"
G	62"	82"	96"
H	47-3/4"	47-3/4"	47-3/4"
I	57"	57"	57"
J	5"	5"	5"
K	87"	87"	87"
L	65"	65"	65"