

4 TINE ORANGE PEEL SCRAP GRAPPLES

SPECIAL FEATURES



High Production Grapples – engineered to help you move more scrap and reduce downtime.

New C-Series Grapples incorporate important service related improvements while maintaining parts interchangeability with the B series grapples.

- ◆ **Rotation.** 360 degree high torque rotation is continuous and bi-directional for fast positioning of the grapple and load. [C Series - Improved accessibility to jumper hose fittings.](#)
- ◆ **Hydraulic Rotation Motor** is equipped with a built-in relief valve for protection against pressure spikes.
- ◆ **Heavy Duty Slewing Ring Bearing.** For ease of servicing, all bearing bolts are accessible from the top of the grapple.
- ◆ **Optional Knock-Around Rotation** is 360° continuous with no stops.
- ◆ **Special Armored Hydraulic Hoses** are well protected inside the grapple.
- ◆ **Sealed Pin Joints** retain grease and keep out dirt for extended pin and bushing life. Pins and bushings are large diameter, heat treated alloy steel. [C series - Improved pin retention system is easier to service and provides additional support.](#)
- ◆ **Quality Hydraulic Cylinders** incorporate heavy cylinder walls, oversize rods, heavy rod shrouds and hydraulic cushions to absorb shock.
- ◆ **High Pressure Hydraulics.** Grapples are designed for use with high pressure hydraulic systems up to 5,000 psi.
- ◆ **Alloy Steel Tines** with heavy duty face plate offer high strength and greater wear resistance. Semi-enclosed tines are standard. Fully enclosed tines are optional.
- ◆ **Replaceable Abrasion Resistant Tips** made from an abrasion resistant, alloy steel. [C Series - New tine tips are 100% larger for extended service life and are shaped to close without gaps.](#)
- ◆ **Built By Young,** a leader in producing quality attachments since 1902.

SPECIFICATIONS

| Machine Weight Class (Max.) * | 65,000# | | 135,000# | | | | | 200,000# | | |
|--|-------------------------------------|-------|---------------|--------|--------|--------|--------|---------------|--------|--------|
| Grapple Model | LO75C | LO95C | LO100C | LO125C | LO150C | LO200C | LO250C | LO205C | LO300C | LO400C |
| Capacity- Cu.Yd. | .75 | 1 | 1 | 1.25 | 1.5 | 2 | 2.5 | 2 | 3 | 4 |
| Number of Tines | 4 | 4 | 4 | 4 | 4 | 4 | 4 | 4 | 4 | 4 |
| Maximum Opening | A | 82 | 88 | 95 | 100 | 108 | 116 | 120 | 126 | 138 |
| Overall Height Open | B | 78 | 81 | 94 | 96 | 98 | 100 | 108 | 114 | 116 |
| Overall Height Closed | C | 92 | 97 | 108 | 112 | 115 | 120 | 135 | 137 | 144 |
| Overall Width Closed | D | 54 | 60 | 61 | 63 | 69 | 75 | 80 | 86 | 94 |
| Crosshead Width | E | 6 | 6 | 8.25 | 8.25 | 8.25 | 8.25 | 8.25 | 8 | 8 |
| Mounting Pin. Dia. | F | 2.5 | 2.5 | 3 | 3 | 3 | 3 | 4 | 4 | 4 |
| Width Open | G | 69 | 75 | 75 | 82 | 86 | 93 | 101 | 108 | 118 |
| Rotation Degrees | | 360 | 360 | 360 | 360 | 360 | 360 | 360 | 360 | 360 |
| Weight – lbs. | | 2,500 | 2,900 | 3,850 | 4,150 | 4,450 | 4,800 | 5,500 | 7,500 | 8,200 |
| Hydraulic Circuit Information (Recommended) | | | | | | | | | | |
| Open/Close Circuit | | | | | | | | | | |
| Supply Line Size – in. | 3/4 | | 1 | | | | | 1 | | |
| GPM Delivery | 35 - 55 | | 70 - 90 | | | | | 90 - 110 | | |
| Relief Setting - psi | 2,500 – 5,000 | | 2,500 - 5,000 | | | | | 2,500 – 5,000 | | |
| Open-Close Ports | 5/8 JIC | | 3/4 JIC | | | | | 3/4 JIC | | |
| Rotation Circuit | | | | | | | | | | |
| Supply Line Size – in. | 1/2 - 3/4 | | 1/2 – 3/4 | | | | | 1/2 – 3/4 | | |
| GPM Delivery | 4 - 6 | | 4 – 6 | | | | | 4 – 6 | | |
| Relief Setting - psi | 1,500 Max | | 1,500 Max | | | | | 1,500 Max. | | |
| Rotation Ports | 3/8 JIC | | 3/8 JIC | | | | | 1/2 JIC | | |
| Control Valve Type | | | | | | | | | | |
| Open/Close Circuit | 4 Way, Closed Center, Spring Return | | | | | | | | | |
| Rotation Circuit | 4 Way, Closed Center, Spring Return | | | | | | | | | |

*Proper grapple sizing is affected by machine lift capacity, material density and customer application. Contact Young for recommendations

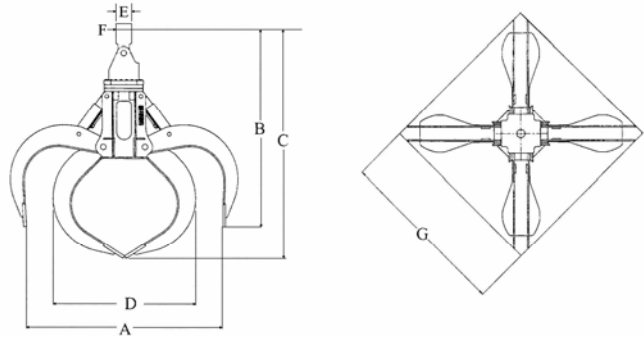
Lettered Dimensions in Inches

Dealer / Customer to furnish

- ◆ Two hydraulic circuits for grapple open-close and rotation per above specifications
- ◆ Hydraulic lines to grapple

Grapple Options

- ◆ Standard crosshead, dims. E, F above
- ◆ Special crossheads to fit booms other than Young
- ◆ Knock-around rotation
- ◆ Tine reinforcing plate for back side of tines
- ◆ Fully enclosed tines (See photo below)



Distributed By:



Optional: Fully enclosed tines

ALSO AVAILABLE FROM YOUNG

- ◆ Material handling fronts – 2pc & 3pc
- ◆ Special applications sticks
- ◆ Clamshell buckets
- ◆ Magnet grapples
- ◆ Magnet generator systems
- ◆ Magnet couplers
- ◆ Magnet rotators

Materials and specifications are subject to change without notice or obligation

