

# 4 TINE ORANGE PEEL SCRAP GRAPPLES

## SPECIAL FEATURES



***High Production Grapples – engineered to help you move more scrap and reduce downtime.***

**New C-Series Grapples** incorporate important service related improvements while maintaining parts interchangeability with the B series grapples.

- ◆ **Rotation.** 360 degree high torque rotation is continuous and bi-directional for fast positioning of the grapple and load. [C Series - Improved accessibility to jumper hose fittings.](#)
- ◆ **Hydraulic Rotation Motor** is equipped with a built-in relief valve for protection against pressure spikes.
- ◆ **Heavy Duty Slewing Ring Bearing.** For ease of servicing, all bearing bolts are accessible from the top of the grapple.
- ◆ **Optional Knock-Around Rotation** is 360° continuous with no stops.
- ◆ **Special Armored Hydraulic Hoses** are well protected inside the grapple.
- ◆ **Sealed Pin Joints** retain grease and keep out dirt for extended pin and bushing life. Pins and bushings are large diameter, heat treated alloy steel. [C series - Improved pin retention system is easier to service and provides additional support.](#)
- ◆ **Quality Hydraulic Cylinders** incorporate heavy cylinder walls, oversize rods, heavy rod shrouds and hydraulic cushions to absorb shock.
- ◆ **High Pressure Hydraulics.** Grapples are designed for use with high pressure hydraulic systems up to 5,000 psi.
- ◆ **Alloy Steel Tines** with heavy duty face plate offer high strength and greater wear resistance. Semi-enclosed tines are standard. Fully enclosed tines are optional.
- ◆ **Replaceable Abrasion Resistant Tips** made from an abrasion resistant, alloy steel. [C Series - New tine tips are 100% larger for extended service life and are shaped to close without gaps.](#)
- ◆ **Built By Young,** a leader in producing quality attachments since 1902.

# SPECIFICATIONS

Machine Weight Class (Max.) *	65,000#		135,000#					200,000#		
Grapple Model	LO75C	LO95C	LO100C	LO125C	LO150C	LO200C	LO250C	LO205C	LO300C	LO400C
Capacity- Cu.Yd.	.75	1	1	1.25	1.5	2	2.5	2	3	4
Number of Tines	4	4	4	4	4	4	4	4	4	4
Maximum Opening	A	82	88	95	100	108	116	120	126	138
Overall Height Open	B	78	81	94	96	98	100	108	114	116
Overall Height Closed	C	92	97	108	112	115	120	135	137	144
Overall Width Closed	D	54	60	61	63	69	75	80	86	94
Crosshead Width	E	6	6	8.25	8.25	8.25	8.25	8.25	8	8
Mounting Pin. Dia.	F	2.5	2.5	3	3	3	3	4	4	4
Width Open	G	69	75	75	82	86	93	101	108	118
Rotation Degrees		360	360	360	360	360	360	360	360	360
Weight – lbs.		2,500	2,900	3,850	4,150	4,450	4,800	5,500	7,500	8,200
<b>Hydraulic Circuit Information (Recommended)</b>										
<b>Open/Close Circuit</b>										
Supply Line Size – in.	3/4		1					1		
GPM Delivery	35 - 55		70 - 90					90 - 110		
Relief Setting - psi	2,500 – 5,000		2,500 - 5,000					2,500 – 5,000		
Open-Close Ports	5/8 JIC		3/4 JIC					3/4 JIC		
<b>Rotation Circuit</b>										
Supply Line Size – in.	1/2 - 3/4		1/2 – 3/4					1/2 – 3/4		
GPM Delivery	4 - 6		4 – 6					4 – 6		
Relief Setting - psi	1,500 Max		1,500 Max					1,500 Max.		
Rotation Ports	3/8 JIC		3/8 JIC					1/2 JIC		
<b>Control Valve Type</b>										
Open/Close Circuit	4 Way, Closed Center, Spring Return									
Rotation Circuit	4 Way, Closed Center, Spring Return									

\*Proper grapple sizing is affected by machine lift capacity, material density and customer application. Contact Young for recommendations

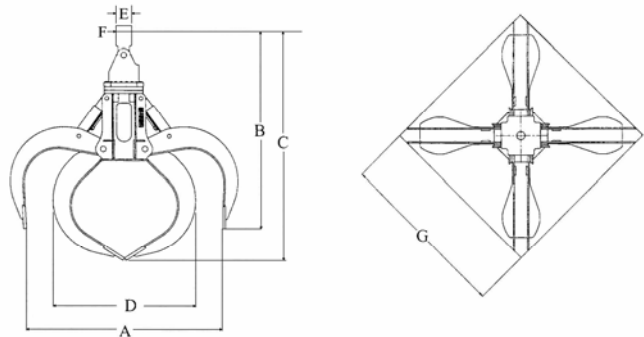
Lettered Dimensions in Inches

## Dealer / Customer to furnish

- ◆ Two hydraulic circuits for grapple open-close and rotation per above specifications
- ◆ Hydraulic lines to grapple

## Grapple Options

- ◆ Standard crosshead, dims. E, F above
- ◆ Special crossheads to fit booms other than Young
- ◆ Knock-around rotation
- ◆ Tine reinforcing plate for back side of tines
- ◆ Fully enclosed tines (See photo below)



## Distributed By:



Optional: Fully enclosed tines

## ALSO AVAILABLE FROM YOUNG

- ◆ Material handling fronts – 2pc & 3pc
- ◆ Special applications sticks
- ◆ Clamshell buckets
- ◆ Magnet grapples
- ◆ Magnet generator systems
- ◆ Magnet couplers
- ◆ Magnet rotators

Materials and specifications are subject to change without notice or obligation

