

Specifications

Machine Weight Class (Max)		65,000 lbs			135,000 lbs				
Grapple Model		LO-50D	LO-75D	LO-95D	LO-100D	LO-125D	LO-150D	LO-200D	LO-250D
Capacity (Cubic Yards)		1/2	3/4	1	1	1 1/4	1 1/2	2	2 1/2
Number of Tines		4	4	4	4	4	4	4	4
Maximum Opening	A	70 5/8	79 1/4	88 3/4	86 1/2	93	98 5/8	109	117 5/8
Overall Height - Open	B	75 1/4	77 3/4	80 1/2	83 7/8	85 3/4	87 3/8	90 3/8	92 7/8
Overall Height - Closed	C	85 5/8	90 5/8	96 1/8	97	100 3/4	104	110	115
Overall Width - Closed	D	51 1/4	55 3/4	60 1/2	63 1/4	66 3/8	69 1/8	74 1/8	79
Spindle Ear Width	E	5 3/8	5 3/8	5 3/8	6 7/8	6 7/8	6 7/8	6 7/8	6 7/8
Spindle Pin Diameter	F	2 1/2	2 1/2	2 1/2	3	3	3	3	3
Width - Open	G	63 3/8	69 7/8	77	77 3/8	82 1/4	86 3/8	94	100 5/8
Weight (pounds)		2,865	3,025	3,200	4,740	4,910	5,080	5,380	5,680
Hydraulic Circuit Information									
Open/Close Circuit									
Supply Line Size (inch)		3/4			3/4				
GPM Delivery		45			68				
Relief Setting (psi)		5,000			5,000				
Open Port Size		3/4 JIC			3/4 JIC				
Close Port Size		3/4 JIC			1 JIC				
Rotation Circuit									
Supply Line Size (inch)		1/2			1/2				
GPM Delivery		6			5				
Relief Setting (psi)		1,125			1,500				
Rotation Port Size		3/8 JIC			1/2 JIC				
Control Valve Type									
Open/Close Circuit		4 Way, Closed Center, Spring Return							
Rotation Circuit		4 Way, Closed Center, Spring Return							

*Proper grapple sizing is affected by machine lift capacity, material density and customer application. Contact Young for recommendations.

Dealer / Customer to furnish

- Hydraulic lines to grapple
- Two hydraulic circuits for grapple open/close and rotation

Heavy Duty Cast Alloy Tine Tips



Grapple Options

- Standard crosshead, dims. E,F above
- Knock-around rotation
- Fully enclosed tines (see photo)
- Special crossheads to fit booms other than Young
- Leg reinforcement kit for back side of tines

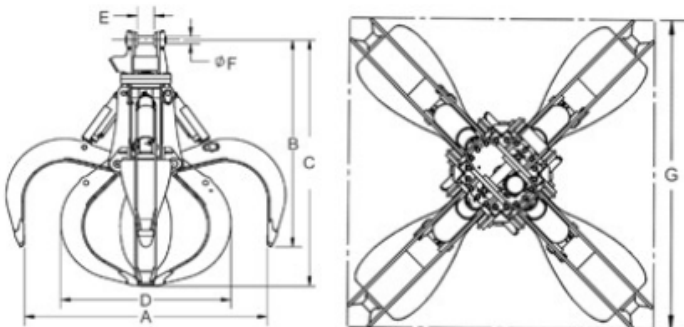
Optional Fully Enclosed Tines



Also available from Young Corp.

- Material handling fronts 2&3 piece
- Special application sticks
- Clamshell buckets
- Magnet generator systems
- Magnet couplers
- Magnet rotators

Standard Semi-Enclosed Flared Tines



Young Corporation
 3231 Utah Avenue South, PO Box 3522, Seattle, WA 98124,
 P: 206-624-1071 800-321-9090 F: 206-682-6881
www.youngcorp.com

Materials and specifications subject to change without notice or obligation.