



YOUNG 5-TINE SCRAP GRAPPLE

MODEL "D" 5-TINE SCRAP GRAPPLES

High Pressure Hydraulic Cylinders

- Thick barrel walls
- Large ports
- Bolt-on cylinder head

Protective Cylinder Shrouds

- Protects cylinder rod
- Reduces material packing

Tine Stops & Leg Tips

- Stops prevent cylinder over extension
- Cast Tips for long life

High Pressure Rotary Union

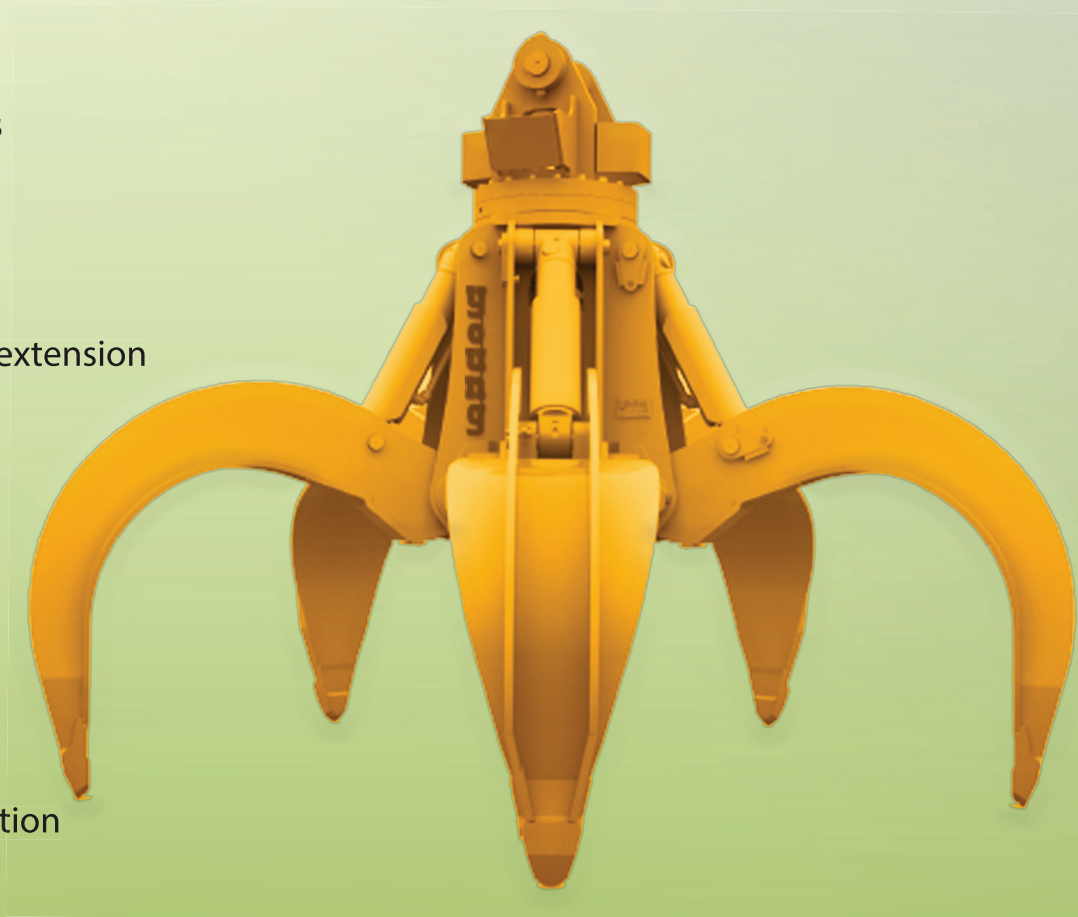
- Reduces back pressure
- Extends seal life

360-Degrees Rotation

- High torque
- Heavy duty
- Continuous 360° power rotation

Pins and Bushings

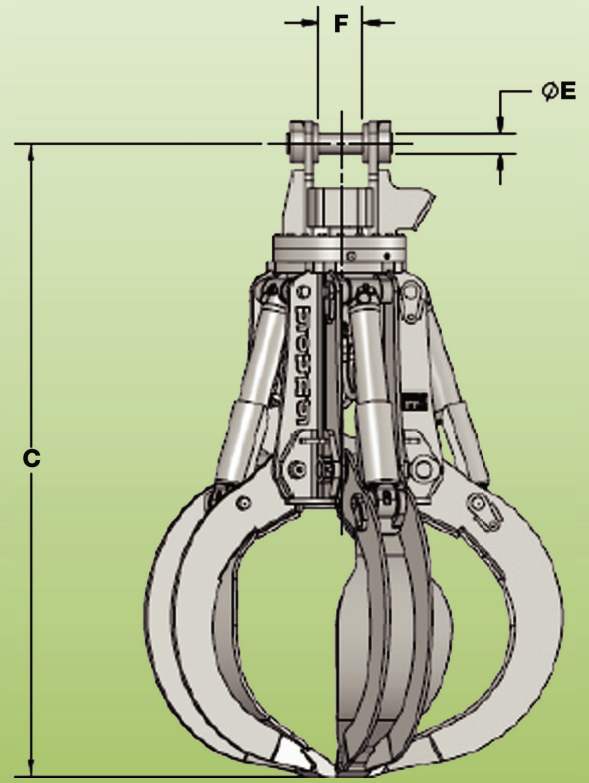
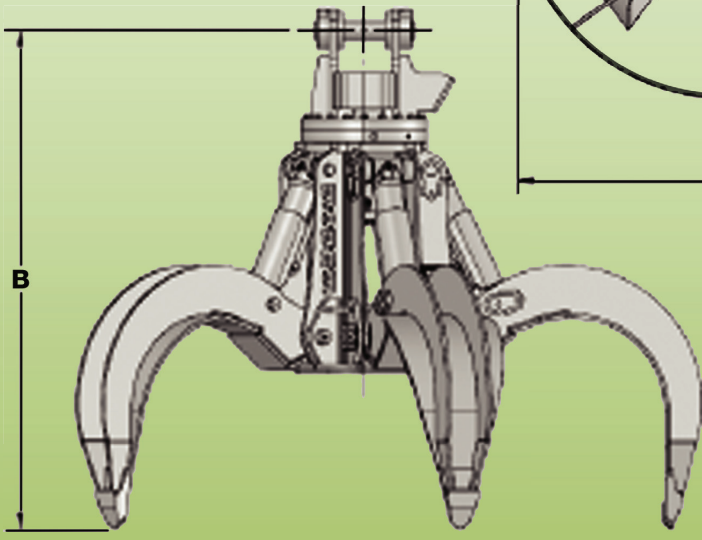
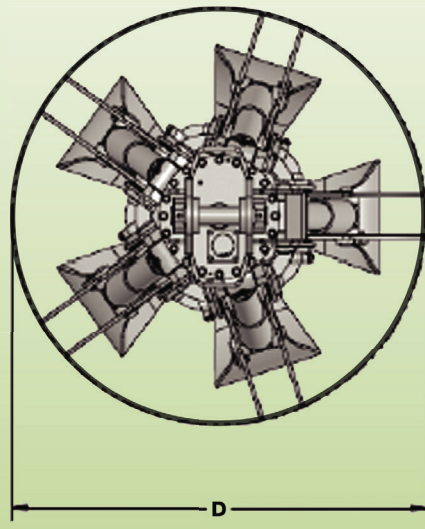
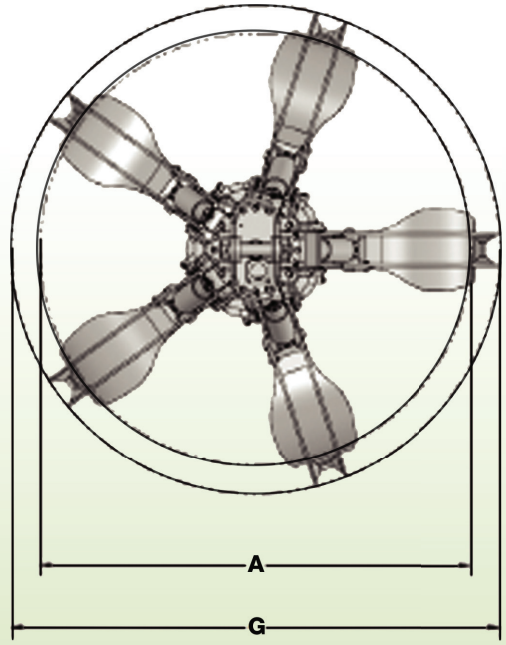
- Large diameter
- Heat treated
- Extended wear life



young
CORPORATION

Model "D" 5-Tine Scrap Grapples Specifications

Grapple Model	LO5-90D	LO5-125D	LO5-140D
Grapple Capacity	0.90-cu yd	1.25 cu yd	1.40 cu yd
Max Opening A	88 3/4 in	98 3/4 in	102 1/4 in
Open Overall Height B	79 3/16 in	81 1/2 in	82 5/8 in
Closed Overall Height C	92 5/8 in	98 1/8 in	102 3/16 in
Closed Overall Width D	64 7/8 in	69 5/8 in	71 11/16 in
Spindle Pin Diameter E	3 in		
Spindle Ear Width F	6 7/8 in		
Open Width G	101 1/2 in	111 3/4 in	115 1/2 in
Tool Weight	4410 lbs	4620 lbs	5600 lbs



Hydraulic Specifications

- Open/Closed Circuit: 3/4-inch Supply Line, 60-GPM Delivery, 5500-psi Relief Setting, 3/4-JIC Port Size
- Rotation Circuit: 1/2-inch Supply Line, 6-GPM Delivery, 1125-psi Relief Setting, 3/8-JIC Port Size
- Control Valve Type: 4-Way, Closed Center, Spring Return